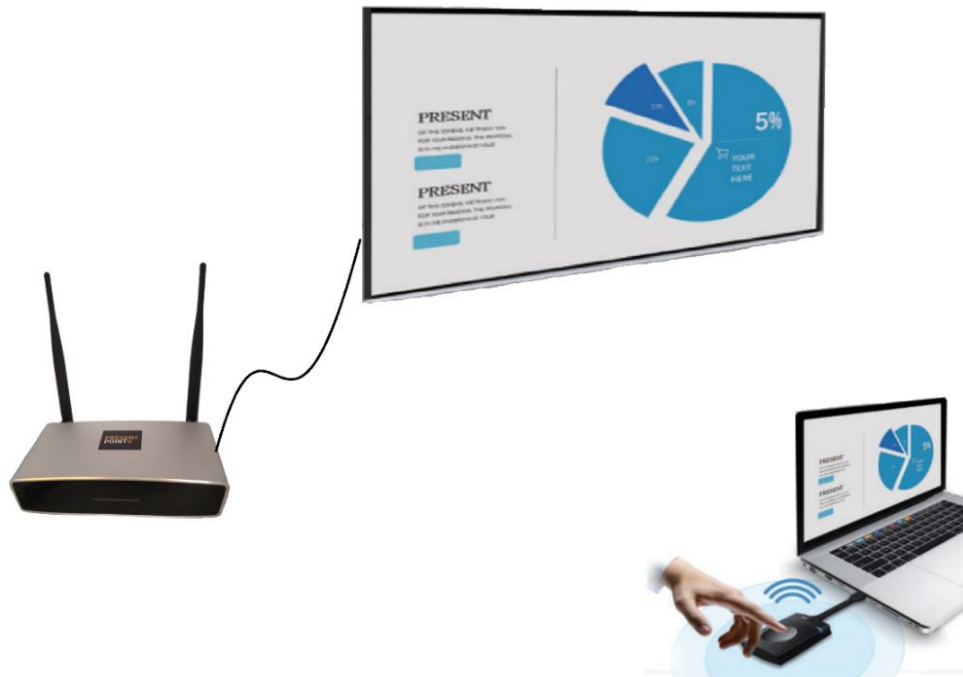




## WIRELESS PRESENTATION SYSTEMS

### PRESENT POINT

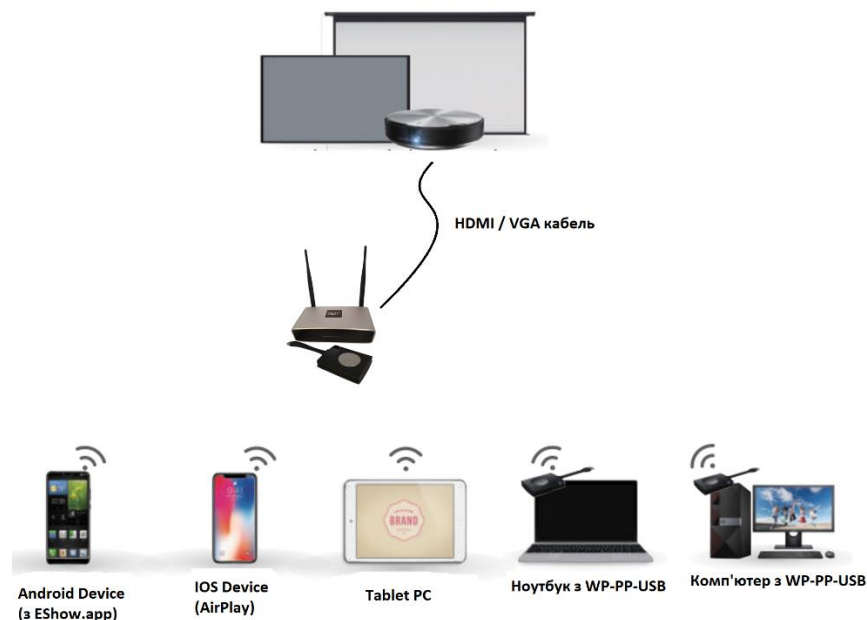
WP-PP-01 / WP-PP-04 / WP-PP-09



**System Description:**

The PRESENT POINT wireless presentation systems are designed specifically for use in rooms such as: meeting rooms, conference rooms, chat rooms, lecture halls and classrooms. Unlike traditional systems using a wired connection, we use wireless technology, so that the overall work or presentation becomes as comfortable and simple as possible - you just need to click on the wireless launcher to connect to the large screen (TV screens or projectors).

The PRESENT POINT wireless presentation system allows you to display up to 9 (inclusive) users at the same time (depending on model).



(connection options)

**PRESENT POINT** can be easily used with almost any display / screen or projector (with HDMI or VGA connectors) for quick sharing of presentations from various devices, including desktop PCs, Macs, laptops, tablets and smartphones with iOS / Android operating system.

**Device Compatibility:**

- iOS devices (using Airplay)
- MAC (using the wireless launcher WP-PP-USB or Airplay)
- Android devices (using Eshow)
- Windows laptops (using the wireless launcher WP-PP-USB)

## Wireless Presentation System

### PRESENT POINT

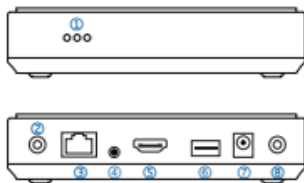
#### WP-PP-01

(1 user on screen)

Application: small and medium sized meeting / meeting rooms, multimedia audiences

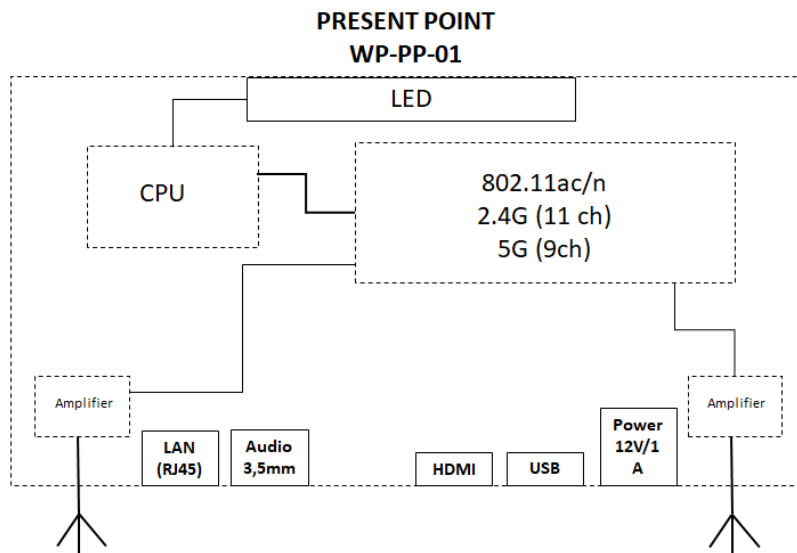


*WP-PP-01 є the most economical system in the middle of the model range of the systems of no-fly presentation PRESENT POINT.*



1. LED indicator	6. USB interface
2. Antenna output	7. Power Connector
3. LAN port	8. Antenna output
4. Audio interface	
5. HDMI interface	

**Scheme:**



**WP-PP-01** allows you to connect both PCs and mobile devices (smartphones / tablets) to it. The maximum number of simultaneous connections is 1 user.

**Features:**

1. The easiest wireless presentation setup.
2. Windows, MAC are supported - for PCs, tablets and smartphones with iOS / Android operating system.
3. When using a PC, a physical or virtual (software solution) launcher.
4. Easy to install / mount to wall or ceiling.

**Specifications:**

<p><b>Interfaces:</b></p> <ul style="list-style-type: none"> <li>• 1 x HDMI Output</li> <li>• 1 x USB</li> <li>• 1 x Ethernet LAN</li> <li>• 1 x 3.5mm mini jack socket</li> </ul> <p><b>The number of users on the screen:</b></p> <ul style="list-style-type: none"> <li>• 1 user (Windows, MAC, Android or iOS device)</li> </ul>	<p><b>WLAN Card:</b></p> <ul style="list-style-type: none"> <li>• Built-in wireless / wired bridge with priority for wired</li> <li>• 2.4G, 1T1R, 150Mbps</li> </ul> <p><b>Support for operating systems of connected devices:</b></p> <ul style="list-style-type: none"> <li>• Windows 7 / 8.1 / 10 32 and 64 bits,</li> <li>• MAC OS X 10.10 / 10.11 / 10.12 and above</li> </ul>
--	---

<p><b>Distance:</b></p> <ul style="list-style-type: none"> <li>• 20 m</li> </ul> <p><b>Number of Launchers:</b></p> <ul style="list-style-type: none"> <li>• 1 x WP-PP-USB (included)</li> <li>• 16 launchers in the waiting line</li> </ul> <p><b>Video Support:</b></p> <ul style="list-style-type: none"> <li>• Encoding resolution up to 1920x1080</li> <li>• Frame rate up to 30fps</li> </ul> <p><b>Audio Support:</b></p> <p>Via HDMI: digital audio, sample rate 44.1Khz, stereo</p> <ul style="list-style-type: none"> <li>• Via Audio Jack 3.5mm: analog audio</li> </ul> <p><b>Wireless connections:</b></p> <ul style="list-style-type: none"> <li>• Wireless Transmission Protocol: 802.11ac / n</li> <li>• Dual antenna</li> <li>• Frequency range: 2.4 GHz (11 channels) or 5 GHz (9 channels)</li> <li>• Network speed: up to 867 Mb / s</li> <li>• Authentication Protocol: WPA2-PSK</li> </ul>	<ul style="list-style-type: none"> <li>• Compatible with airplay for iOS9 / iOS10 / iOS11, OS X 10.10 / 10.11 / 10.12 and above</li> <li>• Compatible with Android 5.0 and higher version (APP installation required)</li> </ul> <p><b>"Multishow Settings" and the ability to broadcast a multicast stream</b></p> <p><b>Device Compatibility:</b></p> <ul style="list-style-type: none"> <li>• iOS devices (using Airplay)</li> <li>• MAC (using the wireless launcher WP-PP-USB or Airplay)</li> <li>• Android devices using Eshow)</li> <li>• Windows laptops (using the wireless launcher WP-PP-USB)</li> </ul> <p><b>Temperature range and humidity:</b></p> <ul style="list-style-type: none"> <li>• Working: + 5 ° C ~ + 40 ° C, 0 ~ 90% humidity</li> <li>• Storage: -20 ° C ~ + 60 ° C, 0 ~ 90% humidity</li> </ul> <p><b>Power Supply:</b></p> <ul style="list-style-type: none"> <li>• 12V / 1A, average power consumption 5W</li> </ul> <p><b>Dimensions:</b></p> <p>2 x 14 x 11 cm</p> <p><b>Web Interface Language: Ukrainian</b></p>
--	--

**Characteristics of radio equipment:**

Antenna Gain: WIFI: 1 dBi

**Modulation Type:**

802.11a / g / n20 / n40 / ac20 / ac40 / ac80: OFDM

OFDM: BPSK, QPSK, 16-QAM, 64-QAM, 256-QAM

**Working frequency:**

802.11 a: 5745-5825 MHz (TX / RX) 802.11ac 20: 5745-5825 MHz; 802.11ac 40: 5755-5795 MHz; 802.11ac 80: 5775 MHz;

**Max. ERP / EIRP:** 5.28dBm

**Power Supply:**

Adapter: Model: SA12V-120100B

Input Voltage: 100-240V ~ 50 / 60Hz, 0.4A Max

Output Voltage: 12V, 1A

## Wireless Presentation System

### PRESENT POINT

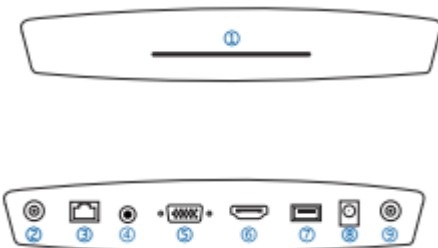
#### WP-PP-04

(up to 4 users on screen)

Application: conference rooms, meeting rooms or lecture halls / auditoriums. They allow the use of projectors, as well as LED or LCD screens (including composite).



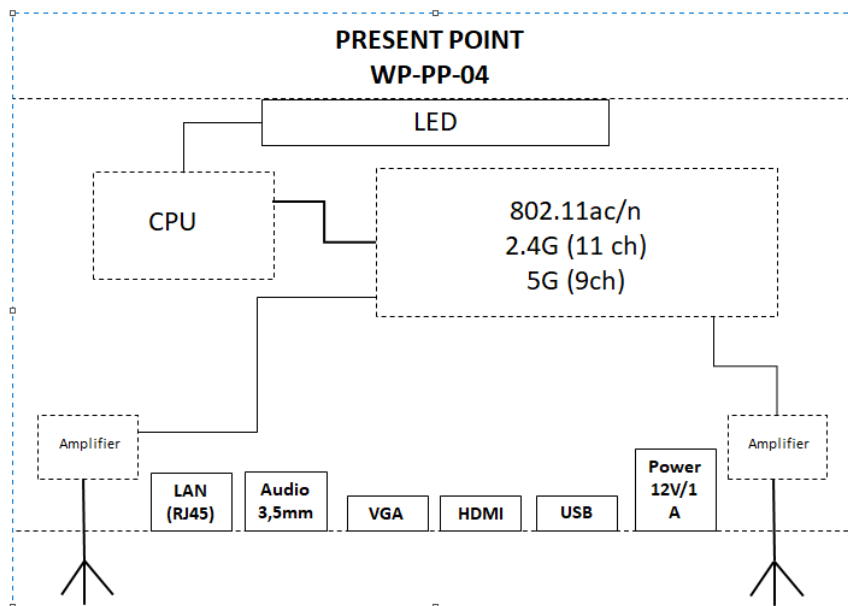
**WP-PP-04** is positioned as the middle model among our PRESENT POINT wireless presentation devices, specially designed for large conference rooms or lecture halls. WP-PP-04 features: attractive appearance, power, rich functionality and high performance.



1. LED indicator	6. HDMI interface
2. Antenna output	7. USB interface
3. LAN port	8. Power Connector

4. Audio interface	9. Antenna output
5. VGA interface	

**Scheme:**



**WP-PP-04** allows you to connect both PCs and mobile devices (smartphones / tablets) to it. The maximum number of simultaneous connections is up to 4 (inclusive) users.

**Features**

1. Connect the wireless launcher to the USB port of a PC or MAC, click on it and share your content on the big screen!
2. An extended desktop is supported, users can display various content on the central screen and on a laptop
3. The WP-PP-04 wireless presentation system provides a wireless mirror image of the screen of your laptop or mobile device and supports up to 4 (inclusive) users on a large screen (2/4 users on a screen of max. 960x540)
4. Support dual output HDMI and VGA interface
5. Wireless or wired routing is supported (integration into a corporate network)
6. Ability to connect from 1 to 4 users
7. Stylish body design



**Technical characteristics:**

<p><b>Interfaces:</b></p> <ul style="list-style-type: none"> <li>• 1 x HDMI Output</li> <li>• 1 x USB</li> <li>• 1 x VGA</li> <li>• 1 x Ethernet LAN</li> <li>• 1 x 3.5mm mini jack socket</li> </ul> <p><b>The number of users on the screen:</b></p> <ul style="list-style-type: none"> <li>• 4 users (Windows, MAC, Android and iOS iOS pristry)</li> </ul> <p><b>Distance:</b></p> <ul style="list-style-type: none"> <li>• 30 m</li> </ul> <p><b>Number of Launchers:</b></p> <ul style="list-style-type: none"> <li>• 4 x WP-PP-USB (included)</li> <li>• 16 launchers in the waiting line</li> </ul> <p><b>Video Support:</b></p> <ul style="list-style-type: none"> <li>• Up to Full HD (1920x1080)</li> <li>• Encoding resolution up to 1920x1080</li> <li>• Frame rate up to 30fps</li> </ul> <p><b>Audio Support:</b></p> <p>Via HDMI: digital audio, sample rate 44.1Khz, stereo</p> <ul style="list-style-type: none"> <li>• Via Audio Jack 3.5mm: analog audio</li> </ul> <p><b>Wireless connection:</b></p> <ul style="list-style-type: none"> <li>• Wireless Transmission Protocol: 802.11ac / n</li> <li>• Dual antenna</li> <li>• Frequency range: 2.4 GHz (11 channels) or 5 GHz (9 channels)</li> <li>• Network speed: up to 867 Mbps</li> </ul>	<p><b>WLAN Card:</b></p> <ul style="list-style-type: none"> <li>• Built-in wireless / wired bridge with priority for wired</li> <li>• 2.4G / 5G, 2T2R, 150Mbps</li> </ul> <p><b>Support for operating systems of connected devices:</b></p> <ul style="list-style-type: none"> <li>• Windows 7 / 8.1 / 10 32 and 64 bits,</li> <li>• MAC OS X 10.10 / 10.11 / 10.12 and above</li> <li>• Compatible with airplay for iOS9 / iOS10 / iOS11, OS X 10.10 / 10.11 / 10.12 and above</li> <li>• Compatible with Android 5.0 and higher version (APP installation required)</li> </ul> <p><b>"Multishow Settings" and the ability to broadcast a multicast stream</b></p> <p><b>Device Compatibility:</b></p> <ul style="list-style-type: none"> <li>• iOS devices (using Airplay)</li> <li>• MAC (using the wireless launcher WP-PP-USB or Airplay)</li> <li>• Android devices (using Eshow)</li> <li>• Windows laptops (using the wireless launcher WP-PP-USB)</li> </ul> <p><b>Temperature range and humidity:</b></p> <ul style="list-style-type: none"> <li>• <b>Operating:</b> + 5 ° C ~ + 40 ° C, 0 ~ 90% humidity</li> <li>• <b>Storage:</b> -20 ° C ~ + 60 ° C, 0 ~ 90% humidity</li> </ul> <p><b>Power Supply:</b></p> <ul style="list-style-type: none"> <li>• 12V / 1A, average power consumption 5W</li> </ul> <p><b>Dimensions:</b></p> <p>40 x 18 x 11 cm</p> <p><b>Web Interface Language: Ukrainian</b></p>
--	--

• Authentication Protocol: WPA2-PSK	
-------------------------------------	--

**Characteristics of radio equipment:**

Antenna Gain: WIFI: 1 dBi

**Modulation Type:**

802.11a / g / n20 / n40 / ac20 / ac40 / ac80: OFDM

OFDM: BPSK, QPSK, 16-QAM, 64-QAM, 256-QAM

**Working frequency:**

802.11 a: 5745-5825 MHz (TX / RX) 802.11ac 20: 5745-5825 MHz; 802.11ac 40: 5755-5795 MHz; 802.11ac 80: 5775 MHz;

**Max. ERP / EIRP: 5.28dBm**

**Power Supply:**

Adapter: Model: SA12V-120100B

Input Voltage: 100-240V ~ 50 / 60Hz, 0.4A Max

Output Voltage: 12V, 1A

## Wireless Transmission System

### PRESENT POINT

#### WP-PP-09

(up to 9 users on screen).

Application of WP-PP-09: conference rooms, meeting rooms, lecture halls and classrooms. They allow the use of projectors, as well as LED or LCD screens (including composite). The model supports 4K.



**WP-PP-09** is the most powerful model among PRESENT POINT wireless presentation systems.

**WP-PP-09** supports 4K.

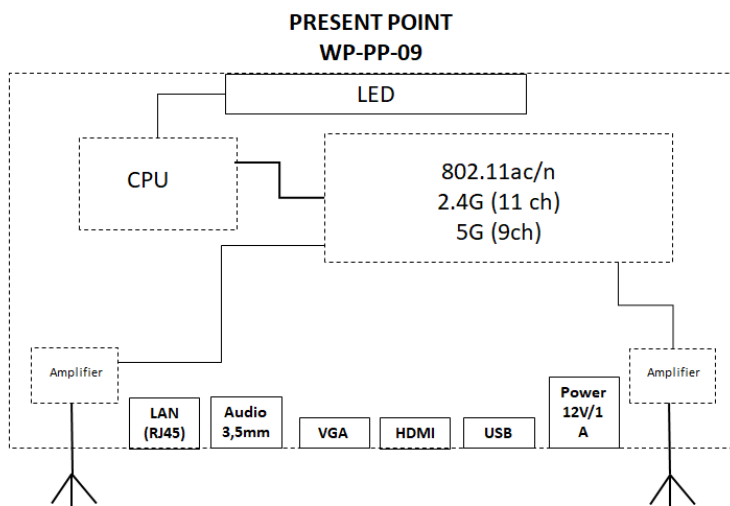
Specially designed for use in large conference rooms, meeting rooms, lecture halls and classrooms. PRESENT POINT can simultaneously display up to 9 users on the screen (while displaying 9 users at the same time, one image can reach 720p).

WP-PP-09 allows you to connect both PCs and mobile devices (smartphones / tablets) to it. The maximum number of simultaneous connections is up to 9 (inclusive) users.



1. LED indicator	6. HDMI interface
2. Antenna output	7. USB interface
3. LAN port	8. Power Connector
4. Audio interface	9. Antenna output
5. VGA interface	

**Scheme:**



**Features**

1. Connect the wireless launcher to the USB port of a PC or MAC, click on it and share your content on the big screen!
2. An extended desktop is supported, users can display various content on the central screen and on a laptop
3. The WP-PP-09 wireless presentation system provides a wireless mirror image of the screen of your laptop or mobile device and supports up to 9 (inclusive) users on a large screen. 4. Video input interface HDMI and VGA
5. Wireless or wired routing is supported (integration into a corporate network)
6. Ability to connect from 1 to 9 users

## 7. Stylish body design

### Specifications

<p><b>Interfaces:</b></p> <ul style="list-style-type: none"> <li>• 1 x HDMI Output</li> <li>• 1 x USB</li> <li>• 1 x VGA</li> <li>• 1 x Ethernet LAN</li> <li>• 1 x 3.5mm mini jack socket</li> </ul> <p><b>The number of users on the screen:</b></p> <ul style="list-style-type: none"> <li>• 9 user (Windows, MAC, Android or iOS device)</li> </ul> <p><b>Distance:</b></p> <ul style="list-style-type: none"> <li>• 30 m</li> </ul> <p><b>Number of Launchers:</b></p> <ul style="list-style-type: none"> <li>• 4 x WP-PP-USB (included)</li> <li>• 16 launcher in the waiting line</li> </ul> <p><b>Video Support:</b></p> <ul style="list-style-type: none"> <li>• 4K (3840x2160)</li> <li>• Encoding resolution up to 1920x1080</li> <li>• Frame rate up to 30fps</li> </ul> <p><b>Audio Support:</b></p> <p>Via HDMI: digital audio, sample rate 44.1Khz, stereo</p> <ul style="list-style-type: none"> <li>• Via Audio Jack 3.5mm: analog audio</li> </ul> <p><b>Wireless connection:</b></p> <ul style="list-style-type: none"> <li>• Wireless Transmission Protocol: 802.11ac / n</li> <li>• Dual antenna</li> <li>• Frequency range: 2.4 GHz (11 channels) or 5 GHz (9 channels)</li> </ul>	<p><b>WLAN Card:</b></p> <ul style="list-style-type: none"> <li>• Built-in wireless / wired bridge with priority for the dear</li> <li>• 2.4G / 5G, 2T2R, 150Mbps</li> </ul> <p><b>Support for operating systems of connected devices:</b></p> <ul style="list-style-type: none"> <li>• Windows 7 / 8.1 / 10 32 and 64 bits,</li> <li>• MAC OS X 10.10 / 10.11 / 10.12 and above</li> <li>• Compatible with airplay for iOS9 / iOS10 / iOS11, OS X 10.10 / 10.11 / 10.12 and above</li> <li>• Compatible with Android 5.0 and higher version (APP installation required)</li> </ul> <p><b>"Multishow Settings" and the ability to broadcast a multicast stream</b></p> <p><b>Device Compatibility:</b></p> <ul style="list-style-type: none"> <li>• iOS devices (using Airplay)</li> <li>• MAC (using the wireless launcher WP-PP-USB or Airplay)</li> <li>• Android devices (using Eshow)</li> <li>• Windows laptops (using the wireless launcher WP-PP-USB)</li> </ul> <p><b>Temperature range and humidity:</b></p> <ul style="list-style-type: none"> <li>• Operating: + 5 ° C ~ + 40 ° C, 0 ~ 90% humidity</li> <li>• Storage: -20 ° C ~ + 60 ° C, 0 ~ 90% humidity</li> </ul> <p><b>Power Supply:</b></p> <ul style="list-style-type: none"> <li>• 12V / 1A, average power consumption 5W</li> </ul> <p>sizes: 40 x 18 x 11 cm</p> <p><b>Web Interface Language: Ukrainian</b></p>
--	--

PSK	<ul style="list-style-type: none"><li>• Network speed: up to 867 Mbps</li><li>• Authentication Protocol: WPA2-</li></ul>
-----	--

**Characteristics of radio equipment:**

Antenna Gain: WIFI: 1 dBi

**Modulation Type:**

802.11a / g / n20 / n40 / ac20 / ac40 / ac80: OFDM

OFDM: BPSK, QPSK, 16-QAM, 64-QAM, 256-QAM

**Working frequency:**

802.11 a: 5745-5825 MHz (TX / RX) 802.11ac 20: 5745-5825 MHz; 802.11ac 40: 5755-5795 MHz; 802.11ac 80: 5775 MHz;

Max. ERP / EIRP: 5.28dBm

**Power Supply:**

Adapter: Model: SA12V-120100B

Input Voltage: 100-240V ~ 50 / 60Hz, 0.4A Max

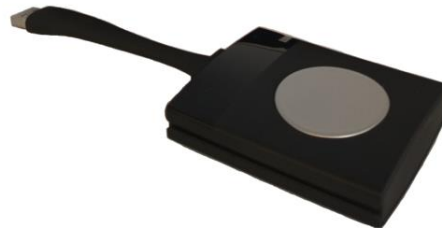
Output Voltage: 12V, 1A

## Wireless Presentation System

### PRESENT POINT

#### WP-PP-USB

(launcher)



Application WP-PP-USB: wireless connection of computers or laptops to the base unit of the PRESENT POINT wireless presentation system.

Allows you to connect:

- MAC (using the WP-PP-USB wireless launcher)
- Windows laptops (using the WP-PP-USB launcher)

## Safety manual

### 1. Safety

**About this chapter Read this chapter carefully: it contains important instructions to prevent accidents when using PRESENT POINT products. It also includes a warning to prevent damage to PRESENT POINT products. You must understand and follow all safety instructions, instructions, and warnings in this section before using PRESENT POINT.**

#### 1.1 General

##### Safety Warning

Install devices in strict accordance with the recommendations of the PRESENT POINT installation guide.

- Only qualified personnel should install the equipment, and it must comply with all local legal requirements.
- Connection to external power sources must be properly protected.
- Avoid connecting devices directly to power outlets.
- To prevent bodily harm, read this manual and read all labels on the product before connecting the equipment to the mains.
- The PRESENT POINT product is intended for use only in the office and indoors.
- Use only the power adapter for the product. Other power adapters, even similar in appearance, have not passed the factory safety test, and cannot be used to connect the device. If you need to replace the power supply, contact your local manufacturer representative.
- The product must be operated from power supplies included in the UL list, marked “Class 2” or “LPS” or “Limited Power Supply”, which output 12 VDC, a current of at least 1A via Ethernet (PoE) Plus IEEE802.3at Power supply (PSE) type 2 rated 42.5-57V DC, current, not less than 0.4-0.3A.
- Do not place or place any objects on the power cord. Do not install the device in places where people could walk on the cord. To turn off the power, unplug the power plug. Do not pull directly on the cord.
- If an extension cord is used to connect the device, make sure that its rated current is not lower than the total value of the rated currents connected to it.
- Make sure that no liquid enters the device. If any liquid or object gets inside the case, unplug the device from the power supply and do not use it until it is checked by qualified service personnel.
- To prevent damage to the device during a thunderstorm, unplug the power plug. You should also disconnect the device from the power supply when not in use or left unattended for a long time. This will prevent damage due to lightning and power surges.• Используйте только указанные производителем вспомогательные детали и аксессуары.



## Environment

**Do not place this unit on an unstable cart, stand, or tabletop. As in the event of a fall, the product may be seriously damaged.**

### 1.1 Service

#### Danger of electric shock

Don't open. To reduce the risk of electric shock, do not remove the covers of the product or the power supply. There are no serviceable parts inside. All maintenance work must be carried out by qualified service personnel. If any of the following conditions exist, unplug this product from the wall outlet and hand over the product for servicing to qualified qualified personnel.

- The plug or power cord is damaged or frayed;
- Liquid has entered the equipment.
- Moisture has fallen on the product;
- The product does not work properly despite following the operating instructions; Adjust only those controls that are specified in the instruction manual. Improper adjustment of other elements can lead to damage to the device, as a result of which qualified specialists often have to exert great efforts to return it to working condition.
- The product has dropped or its case has been damaged.
- Product performance has fallen significantly, indicating a need for maintenance.
- Spare parts If you need spare parts, make sure that the service technician uses the original PRESENT POINT or manufacturer-approved spare parts with the same specifications as the original PRESENT POINT devices. Unauthorized replacement may result in reduced performance and reliability, fire, electric shock, and hazardous situations. Unauthorized replacement of components may void the warranty.
- Safety check: after performing any maintenance and repair work on the device, it will ask the service technician to conduct a safety check to ensure that the device is functioning properly.

### 1.2 Risk of heat and fire

#### Risk of heat and fire.

Fire hazard warning: Do not place flammable or flammable materials near the device! PRESENT POINT products are designed to meet the most stringent safety standards. The external surfaces of the device heat up and radiate heat during normal use. This is normal and safe. The presence of combustible or flammable materials in the immediate vicinity of the device may lead to their ignition and subsequent explosion. For this reason, keep a safe distance of at least 40 cm around all external surfaces of the device (for all PRESENT POINT products). The safety zone for all PRESENT POINT devices must be at least 40 cm. During operation, do not cover the device with any material.

Install the device in a well-ventilated area away from sources of ignition and direct sunlight.

Slots and openings in this equipment are provided for ventilation. To ensure reliable operation of the device and protect it from overheating, these openings should not be closed or blocked. It is also forbidden to block openings by placing the projector at a very close distance from walls and other similar surfaces. Do not place the device near or above a battery or heater.

Do not install the device in a niche or cramped rooms if they are not equipped with proper ventilation.

In case of fire, extinguish it with sand, carbon dioxide or powder fire extinguishers. Never use water to extinguish fires of electrical origin.

**Fuse:** The power supply has an internal mains fuse. A blown internal fuse is an indication of a critical malfunction in the power supply. Repairs should only be carried out by authorized personnel. Replace fuses of the same type and size.

### 1.3 Environmental Checks

**Checking environmental conditions** When installing in dusty locations, we strongly recommend that you remove dust from the air before it enters the clean air inlet. A prerequisite for the operation of the device in places with a high dust content is the presence of equipment or structures that remove or reflect excess dust. If this is not possible, move the unit to a place with clean air.

The customer is responsible for ensuring that the device is always protected from the adverse effects of harmful particles in the air of the room where the device is installed. The manufacturer reserves the right to refuse to repair the device with signs of unfair, careless or improper use.

#### Ambient temperature

Max. ambient temperature: + 40 ° C

Minimum ambient temperature: + 5 °C.

Storage Temperature: -20 to + 60 ° C

#### Humidity

Storage: relative humidity 0 to 90%, non-condensing.

Work: relative humidity from 0 to 90%, without condensation.

#### Environment

The PRESENT POINT product is intended for use only in offices and other rooms. Do not install near any heat sources such as heaters or heaters, or in places subject to direct sunlight, excessive dust, or excessive humidity. Remember that room temperature rises closer to the ceiling. Make sure that the temperature near the installation site does not exceed the permissible value.

### 1.4 EN55022-CISPR22, class B ITE (information technology equipment)

#### Warning

The device belongs to class B. In a domestic environment, this device may cause radio interference, and it may be necessary for the user to take appropriate measures.

In case of interference to the radio and television signal, the user can take any of the following measures to eliminate them:

- Changing the orientation of the receiving antenna of the radio or TV signal.
- Repositioning equipment relative to the receiver.
- Connect the equipment to another outlet so that the equipment and receiver are connected to different branch networks.
- Fasten the cable connectors to the equipment using the set screws.

## 1.5 International safety standards

### Standards Overview

In accordance with the requirements of international safety standards IEC60950-1, EN60950-1, UL60950-1 and CAN / CSA C22.2 No. 60950-1, which relate to information technology equipment, including electrical manufacturing equipment. These safety standards establish important requirements for the use of safety-critical components, materials and insulation to protect the user or operator from the risk of electric shock and energy hazards, as well as the risks associated with access to live parts. Safety standards also set limits on indoor and outdoor temperatures, radiation levels, mechanical stability and strength, housing design and fire protection. The results of testing simulations of a single violation condition guarantee the safety of equipment for the user even in the event of equipment failure.

## 1.6 CE certification

### CE certification

PRESENT POINT is used in all countries of the European Union, Norway and Switzerland.



### Certification in Ukraine

PRESENT POINT is used in Ukraine and complies with the technical regulations of Ukraine. The user can get a copy of the certificate by contacting IT Business Solutions LLC, the official representative of the manufacturer in Ukraine - contact details are provided at the end of this document.



## Warranties and Compensation

The manufacturer provides a guarantee for flawless manufacturing, which is an integral part of the previously legally stipulated warranty conditions. Upon receipt, the buyer must immediately inspect all goods delivered for damage caused during transportation, as well as for defects in material and manufacturing defects, and immediately notify the manufacturer or its official representative in writing of any claims. The warranty period begins on the day of transfer of risk, and for special systems and software on the day of commissioning, but no later than 30 days after the transfer of risk. If the message indicates the validity of the claim, the manufacturer or its official representative may, at its discretion, eliminate the defect or provide a replacement on time. If this measure cannot be implemented or cannot be implemented successfully, the buyer may demand a discount on the purchase price or termination of the contract. All other claims, in particular those relating to compensation for direct or indirect damage, as well as for damage, relate to the operation of the software, as well as to other services provided by the manufacturer or its official representative and are components of the system or independent services will be considered. as invalid if the damage is not qualified as a lack of characteristics defined in writing, is not intentional or arose as a result of criminal inattention, or is not partially the fault of the manufacturer.

If the buyer or a third party makes changes or repairs delivered by the manufacturer, or if these products are not used correctly, especially if the systems put into operation are not used correctly or if, after the transfer of risk, the products are exposed to which is not stipulated in the agreement, all claims of the buyer regarding Warranties will be deemed void. The warranty does not cover system failures that are qualified as failures resulting from the use of certain programs or special electronic circuits provided by the buyer, for example, interfaces. Normal wear and tear and normal maintenance are not covered by the warranty provided by the manufacturer. The user must comply with the environmental conditions as well as the service and maintenance provisions set forth in this manual.

**Warranty period is 12 months.**

### 1.8 Provisions of the Software License Agreement

YOU AGREE THAT THE SOFTWARE IS PROVIDED "AS IS". THE MANUFACTURING COMPANY DOES NOT REPRESENT AND DOES NOT INTEND TO PROVIDE ANY WARRANTIES OR APPROVALS AS EXPRESS OR IMPLIED, DIRECTLY WARRANTIES OR LIABILITY OF ANY WARRANTY DOES NOT CONTAIN ERRORS AND THAT THE MANUFACTURING COMPANY WILL correct such errors, and YOU are solely RESPONSIBLE for ALL EXPENSES AND EXPENSES CONCERNING CORRECTING ERRORS, REPAIR OR DAMAGE. -this such errors. YOU AGREE AND AGREE THAT THE MANUFACTURING COMPANY WILL NOT BE LIABLE FOR DAMAGES, LOSSES OR CLAIMS FROM WHICH YOU Third parties may suffer as a result of USING THE SOFTWARE. BY THESE, YOU AGREE TO BE RESPONSIBLE FOR YOURSELF, TO PROTECT THE MANUFACTURER AGAINST ALL AND ALL SUCHS, LIABILITIES, LIABILITIES, DAMAGES, DAMAGES, PAYMENT FOR SERVICES AND COSTS (INCLUDING THE COMPLIANCE FOR THE RESPONSIBILITY). VIOLATIONS OF YOUR SOFTWARE LICENSE PROVISIONS. TO THE MAXIMUM EXTENT ALLOWED BY LAW, IN NO EVENT SHALL THE MANUFACTURER BE LIABLE FOR ANY INDIRECT, SPECIAL, PUNITIVE, INCIDENTAL OR CONSEQUENTIAL DAMAGES OR LOSSES OF ANY KIND, which may arise ARISING OUT OF OR IN CONNECTION WITH THE SOFTWARE THIS SOFTWARE LICENSE PERFORMANCE OR IMPLIED execution , failure to comply with the obligations of the manufacturer under the SOFTWARE LICENSE AND FOR ANY ECONOMIC LOSS, LOST commercial opportunities, non-exclusion of intervals,

REFERENCES OF DATA Intangible LOSS, PROFIT LOSS, GOOD TURNOVER, INCOME, reputational loss and ANY damage caused by a malfunction, malfunction of the computer, or improper use of the SOFTWARE, IS ALSO ALLOWED TO BE EXTENDED EVERYTHING. CONNECTIONS WITH THE USE OF THE SOFTWARE, EVEN IF THE MANUFACTURER has been informed of the POSSIBLE of their occurrence.

## 1.9 Troubleshooting

### Solution of problems

This section describes some problems that may occur when using PRESENT POINT. Possible causes are indicated for each problem and solutions are proposed. If you cannot resolve the problem yourself, contact your IT administrator.

Problem	Cause	Solution
Computer images are not visible when you press the launcher.	You are the second / fourth / tenth user (depending on the PRESENT POINT model) who wants to display the contents of the device on the display.	One of the users should press a button to remove the contents from the display so that you can show your contents. Another way: you can press and hold the launcher to use the function to display your content via PRESENT POINT.
The contents of the computer screen are displayed, but the sound is not reproduced by the audio system of the conference room.	The sound on the computer is muted.	Right-click on the speaker icon and turn on the sound
	The audio system in the conference room is not turned on.	Turn on the audio system in the conference room.
	When using a separate audio channel, an audio cable is not connected.	Check the connection between the main unit (audio) and the audio system in the conference room.
	The default speaker is not configured correctly.	Connect the launcher and set the PRESENT POINT speaker as the default audio device.
	The launcher was not re-synchronized after changing the sound settings in the web interface.	Re-synchronize the launcher.
	Incorrectly set sound parameters in the web interface.	Contact your administrator to select the right sound settings.

<p>The image from the computer is no longer displayed on the display, and the launcher LEDs blink blue.</p>	<p>Lost connection with the display.</p>	<p>PRESENT POINT will try to automatically reconnect. If the connection failed, the launcher LEDs will blink red. Turn off the launcher from the laptop and reconnect.</p>
<p>Nothing is displayed.</p>	<p>The display is off.</p> <p>Incorrect entry selected.</p> <p>The monitor cable is not connected or is not connected correctly.</p> <p>The display cannot recognize the main unit or display its output resolution.</p> <p>The main unit is in standby mode.</p> <p>The main unit is turned off.</p> <p>Launcher software is incompatible with the main unit software.</p> <p>Disabled wallpapers</p>	<p>Turn on the display.</p> <p>Choose the correct entry.</p> <p>Connect the cable to the display and base unit.</p> <p>You or the administrator must change the appropriate settings through the web interface.</p> <p>Briefly press the standby button on the base unit or connect the button and start the PRESENT POINT client software.</p> <p>Check if the power supply is connected to the main unit and to the electrical outlet.</p> <p>Re-synchronize and update the launcher software by connecting it to the USB port on the base unit.</p> <p>If you connect the launcher and start data transfer, they will be shown on the screen.</p>
<p>After connecting the button to the laptop, the EShow disk does not appear</p>	<p>Disable automatic disk updates.</p> <p>Poor connection to the USB port of the laptop.</p>	<p>Update reflection in laptop operating system</p> <ul style="list-style-type: none"> <li>• Reconnect the launcher to the USB port.</li> <li>• Try connecting the launcher to a different USB port.</li> </ul>

- Reboot the laptop.

Windows is trying to assign a reserved letter to the PRESENT POINT drive.

Use the Microsoft Windows Disk Management service to assign the drive a free letter.

IT policy prohibits the use of a USB drive

Contact your IT department.

### 1.10 Contact Details

**Manufacturing company: IBEST OÜ (Kadaka tee 113a, 12915 Tallinn, Estonia)**

**The official representative of IT Business Solution LLC:**

**Legal address: Ukraine, 04050, Kiev., St. Melnikova, 12, tel. + 38-044-597-10-90**

**Actual address: Ukraine, 03164, city. Kiev, st. Buchanska 25/28, tel. + 38-044-597-10-90**

**The official service center of IT Business Solution LLC.: Ukraine, 03164, Kiev., st. Buchanska 25/28, tel. + 38-044-597-10-90**